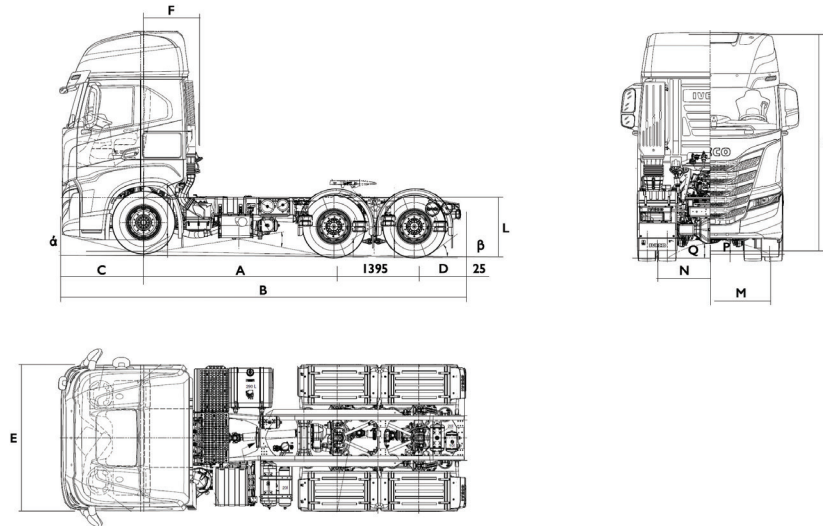


**IVECO**  **S-WAY**



**AS440S47TZ/P ON – 6x4 Truck Tractor**



### Dimensions (mm)

A	Wheelbase	3 300
	Tandem	1 395
B	Overall length (over bumpers)	6 908
C	Front overhang	1 410
D	Rear overhang	778
E	Cab width	2 550
F	Cab gap	940
K	Cab height (unladen) including aerodynamic kit	4 150
L	Frame height at rear axle (unladen)	1 049
	Just 37C 5th wheel height (unladen) – (H=185; MP=40)	1 274
	Frame thickness	7.7
	Turning circle (kerb to kerb)	15 900
	Turning circle (wall to wall)	17 500
M	Front track	2 044
N	Rear track	1 820
	Ground clearance (front bumper)	203
P	Ground clearance (front axle)	244
Q	Ground clearance (rear axle)	250
α	Approach angle	14°
β	Departure angle	37°

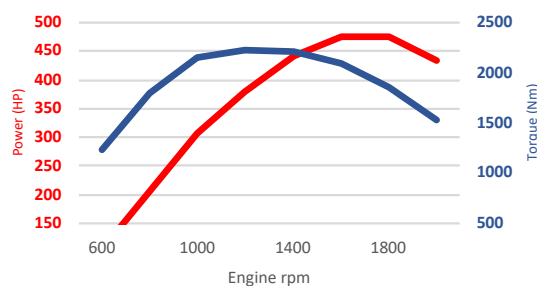
### Tyres

Standard tyres: Michelin X-Multi Energy Z-D 315/80R22.5, on Alcoa Diamant Rims

### Weights (kg)

	Front axle	Rear axle unit	Gross vehicle weight	Gross combination weight
Design weights	8 000	21 000	28 000	60 000
Permissible weights	7 700	18 000	25 700	56 000
Kerb weights	5 239	3 517	8 756	

### Engine



### Iveco Cursor 13 F3HGE611 Engine

Turbocharger	Waste gate
Cylinders in line	6
Bore (mm)/Stroke (mm)	135/150
Capacity (litres)	12,88
Max power (HP/kW)	475/349 @ 1900 rpm
Max torque (Nm)	2200 @ 1100 rpm
Engine Brake Power (kW)	306
Cooling fan	Electro-magnetic
Fuel system	Common rail - high pressure
Engine idle cut-off	Standard

## Transmission

### I2TX 2420 TD Hi-Tronix Direct Drive Gearbox with Intarder

Ratio 1st gear	16.69
Ratio 12th Gear	1
Ratio 1st reverse	15.54
Ratio 2nd reverse	12.03
PTO	PTO prepared
Innovations	Eco-roll Eco-switch

## Clutch

Type	Single dry plate
Diameter	(17") 430 mm

## Axles

Front	Iveco 5890/ON
Rear	MT23-150/D. Single reduction
Rear axle ratio	3.09
Gradeability in 1st gear at 56t on GCM (%)	38.83
Gradeability in 12th gear at 56t on GCM (%)	1.37

## Suspensions

Front	Parabolic; two-leaf
Rear	Pneumatic - 8 bellows Electronically controlled air suspension (ECAS)
Stabilizer bar	Front and rear
Shock absorbers	Front and rear

## Steering

Type	ZF 8098, power assisted
Steering wheel diameter	470mm

## Brakes

Type	2 independent pneumatic circuits
Service	E.B.S. + B.A.S Incorporates: <ul style="list-style-type: none"> <li>• ABS (Anti-Lock Braking System).</li> <li>• ASR (Anti-skid regulator).</li> <li>• DBI (Direct Brake Integration).</li> <li>• BAS (Brake Assistant System).</li> <li>• BVR (Brake Lining Wear Adjustment).</li> <li>• ARB (Hill Holder)</li> </ul>
Front axle	Ventilated discs. 432 mm; Friction area: 784 cm <sup>2</sup>
Rear axles	Ventilated discs. 432 mm; Friction area: 784 cm <sup>2</sup>
Parking	Mechanical with spring cylinder, drive axle
Emergency	Combined with parking brake
Air compressor	630cc twin barrel
Heated air dryer	Air processing unit
Trailer connections	15-pin plug

## Fuel tank

Material & capacity	Aluminium, 540l + 230l with anti-siphon device on each
---------------------	--

## Electronics

Voltage	24V, negative earth return
Alternator	28V, 90A
Starter	24V, 5.5kW
Batteries	2x12V, 220Ah
Circuits protected	By fuse
System	Multiplex - CAN line data bus
Headlights	Full LED + fog lights with cornering support

Taillights

LED

Connectivity

FMS Gateway

**Cab**

- AS – Active Space cab with high roof.
- Standard factory-fitted aerodynamic kit

**Cab exterior**

- 2.5m wide cab.
- Forward control sleeper cab.
- Cab tested to regulation - ECE R29.03 (Cab Crash Compliance)
- Galvanised pressed steel construction with SMC for vulnerable parts.
- New design 4 bellows air suspension and dampers.
- Electrical cab tilt to 60 deg.
- Tinted electric door windows and tinted laminated screen.
- Heated, electrically adjustable rear-view mirrors, plus kerb, wide-angle and front view mirrors according to 2003/97/EC.
- Plastic front bumper in cab colour

**Cab Interior**

- Fabric air suspended heated driver seat with safety belt and headrest.
- Fabric passenger seat with safety belt and headrest.
- 250 litre storage compartments above windscreen.
- Pneumatic horn.
- Electric roof hatch.
- Automatic climate control.
- Touchscreen Radio.
- Fridge.
- 2 bunks (Lower bunk with storage compartment and upper bunk with safety net).
- Driver side sunblind.
- Reverse mono-acoustic buzzer.
- 2 keys with immobiliser.
- Jack.

